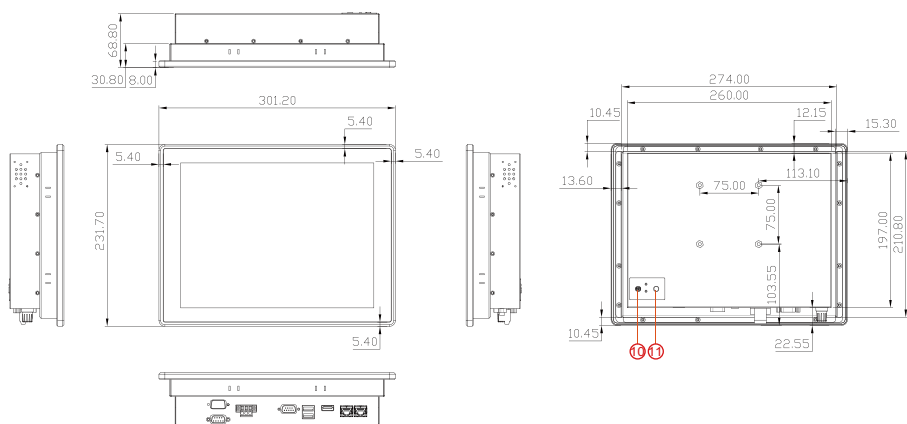


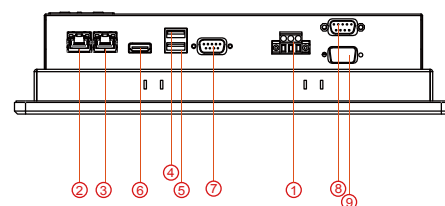


Features:

- Signature true flat display screen with edge to edge design
- Aluminum, anti-corrosion treated housing
- Superior Sealing with front IP65 protection against dust and water
- Projected Capacitive Multi Touch Screen
- Fanless Design
- Support wide range 9-36V isolation DC input



Measurements shown in mm
All Dimensions are ± 0.5 mm



- | | |
|--------------------------|--------------------|
| 1. 9-36V isolation DC-in | 7. COM1 |
| 2. LAN | 8. COM2 |
| 3. LAN | 9. COM3 (optional) |
| 4. USB 2.0 x 1 | 10. Power button |
| 5. USB 3.0 x 1 | 11. Reset button |
| 6. HDMI output | |

* Note: this is a simplified drawing and some components are not marked in detail. Please contact our sales representative if you need further product information.

System Specification

| | |
|-----------------------------|-------------------------------------------------------------------------------------------|
| Processor | : Intel® Celeron® Bay Trail-M N2930 1.83GHz |
| System Memory | : 4GB DDR3L 1066/1333 SODIMM |
| System Chipset | : Intel® ATOM SoC Integrated |
| Ethernet | : Dual Intel® WG82574L GbE LAN |
| Audio | : Realtek ALC886 codec |
| Main Storage | : Built-in 64G mSATA SSD |
| Touch Screen | : Projected Capacitive |
| Operating system (optional) | : Windows Embedded Standard 7 Windows Embedded 8 Standard Windows 10 IoT Enterprise |

Display Specification

| | |
|---------------------|-------------------------|
| Display Size | : 12.1" |
| Active Display Area | : 245.76(H) x 184.32(V) |
| Pixel Pitch | : 0.240(H) x 0.240(V) |
| Display Color | : 262k/16.2M |
| Resolution | : 1024 x 768 |
| Brightness | : 500 nits |
| Contrast Ratio | : 700:1 (Typ.) |
| Viewing Angle | : 80/80/70/70 |

Mechanical Specification

| | |
|-----------|------------------------------------|
| Mouting | : Wall Mount / VESA Mount |
| Dimension | : 301.2 (L) x 231.7 (W) x 68.8 (H) |

Power Supply

| | |
|---------------|---------------------------------------------|
| Power Input | : 9-36V isolation DC in |
| Power Adapter | : 110-240AC to 12V DC out 80W power Adapter |

Environmental Specification

| | |
|-----------------------|----------------------------------------|
| Operation Temperature | : 0~ 50°C |
| Operating Humidity | : 30%-95% at 40°C (non-condensing, RH) |
| Water Proof | : Front: IP65; Rear: IP20 / Fanless |

I/O Connectors

| | |
|----------------|----------------------------|
| I/O Connectors | : 9-36V isolation DC in x1 |
| | Gigabite LAN x2 |
| | USB2.0 x1 |
| | USB3.0 x1 |
| | HDMI Output x1 |
| | COM1 x1 |
| | COM2 x1 |
| | COM3 (optional) x1 |
| | Power button x1 |
| | Reset button x1 |

Accessories

- Mounting clips & screws
- 12V 80W power adapter
- Power cord
- Driver CD