

# Front IP65 Panel PC

(Intel<sup>®</sup> Haswell Platform) ○



Flat Touch Panel Mount Panel PC

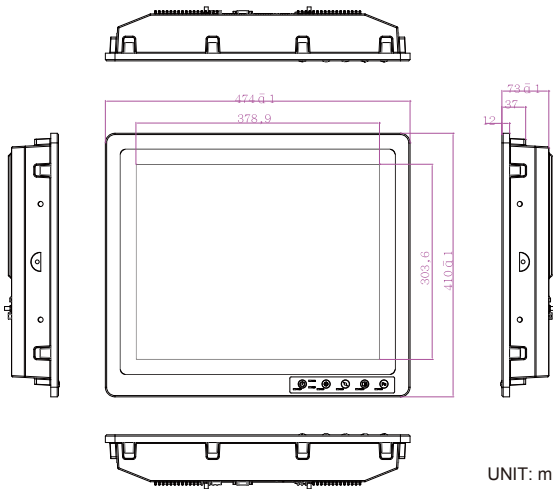
R19IHAT-65FTP

Mechanical Design

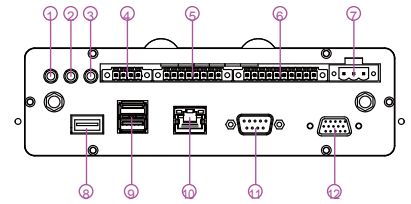
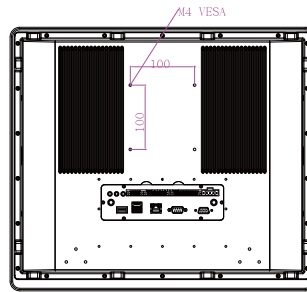


## Features

- Front IP65 Design
- High performance / low power Intel Haswell Core™ i5-4300U (Optional i7 4650U Processor)
- 19-inch sunlight viewable 400 nits LCD panel (Optional 1000 nits)
- -10 to 60°C operation temperature
- Fanless, streamlined enclosure for highly efficient heat dissipation
- Touch screen control button to enable/disable touch screen interface



UNIT: mm



- |                                    |                                 |
|------------------------------------|---------------------------------|
| 1.1 x Line in                      | 7.1 x 9~36V DCin terminal block |
| 2.1 x Mic in                       | 8.1 x USB2.0                    |
| 3.1 x Line Out                     | 9.1 x USB2.0/3.0                |
| 4.1 x USB2.0 terminal block        | 10.1 x RJ45 LAN                 |
| 5.1 x LAN terminal block           | 11.1 x RS232/422/485(DB9)       |
| 6.1 x RS232/422/485 terminal block | 12.1 x VGA(DB15)                |

\* Note: this is a simplified drawing and some components are not marked in detail. Please contact our sales representative if you need further product information.

## System Specifications

### TFT Characteristics :

- Resolutions : 1280 x 1024
- Brightness : 400 cd/m<sup>2</sup> (typ.), Optional 1000 cd/m<sup>2</sup>
- Contrast Ratio : 1000 : 1 (typ.)
- Viewing Angles : -85~85(H);-80~80(V)
- Max Colors : 16.7M
- Touch Screen : Projected Capacitive

### Mechanical Specification :

- Cooling System : Fanless design
- Dimension(W x H x D) : 474mm x 410mm x 143.5mm

### Power Specifications :

- Power Input : 9~36V DC input (isolation)

### Environment Considerations :

- Operating Temperature : -10 deg.C to 60 deg.C
- Operating Humidity : 5 to 95%

### System Specifications :

- Processor : Intel<sup>®</sup> Core™ i5-4300U max. 2.9GHz  
Intel<sup>®</sup> Core™ i7-4650U max. 3.3GHz (Optional)
- BIOS : AMI BIOS
- System Chipset : Intel<sup>®</sup> HD graphics 4400(i5) /5000(i7)
- Memory Slot : 1x DDR3L SO-DIMM 1600 MHz, 4GB default
- Storage : mSATA SSD 64GB default, Optional up to 256GB

### Input/ Output Connectors:

- 1 x USB 2.0 terminal block
- 1 x LAN terminal block
- 1 x RS232/422/485 terminal block
- 1 x 9~36V DC input terminal block
- 1 x USB 3.0, 2 x USB 2.0 (female type)
- 1 x RJ45 LAN
- 1 x RS232/422/485 (DB9)
- 1 x VGA (DB15)

### Standards and Certifications

- Safety : UL60950-1, CSA C22.2 No. 60950-1-07, EN60950-1, IEC60950-1
- CE
- FCC
- Shock : MIL-STD-810G Method 516.6
- Drop : MIL-STD-810G Method 516.6
- Vibration : MIL-STD-810G Method 514.6

### Operating System (Option) :

- Windows Embedded Standard 7
- Windows 7 PRO for Embedded System
- Windows Embedded 8 Standard
- Windows Embedded 8.1 Industrial
- Windows 10 IoT Enterprise

Note: All Specifications are subject to change without prior notice!

Revised Date:12/02/2015



www.primarynetworks.co.uk