

Model:R10IB3S-VMP1

Product Features:

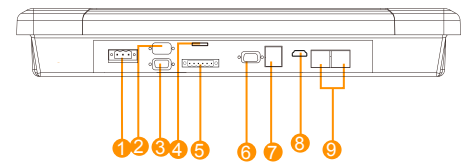
- Ultra Low Bay Trail N2930 1.83GHz Processor Fanless Design
- High Quality 10.4" Panel, 800 x 600 resolution
- Full IP65 Dust / Water Proof Enclosures (Except I/O parts)
- Aluminum Housing with Anti-Corrosion Treatments
- Anti-Shock and Vibration Standard according to MIL-STD-810 & IEC60068-2-27
- 5 Wire Resistive / Infrared Touchscreen / Anti-Reflective Protection Glass (Optional)
- Optional GPS, 3G / WLAN(Either one). Digital IO / Canbus (Either one)
- Wide Range 9 to 36V DC Input Acceptable
- Compliance with EN50155

Product Specifications:

Display	Model Name	R10IB3S-VMP1
	Size	10.4"
	Resolution (pixels)	800 x 600
	Number of Colors	262,144 (6bits/color)
	Brightness (cd/m ²)	350 (typ.)
	Contrast Ratio	500 :1 (typ.)
	Viewing Angle	-70~70 (H) ; -65~55 (V)
System	Touch (optional)	5 Wire Resistive / IR Touch
	Processor	Intel®Bay Trail N2930 1.83Ghz Processor
	Chipset	Bay Trail SoC Chipset
	BIOS	AMI 16Mbit Flash
	Memory	1xDDR3L 1066 MHz SO-DIMM Max. 8GB
	Ethernet	Intel®WG82574L GbE LAN
	Storage	mSATA SSD
Input / Output	Expansion Slot	1 x Mini PCIe slot (for wireless module) 1 x Mini PCIe slot (for SATA SSD)
	Back Panel I/O Port	2 x RJ-45 (10/100/1000 Mbps)
		1 x HDMI
		1 x DC-in Jack (Phoenix type)
		1 x USB 3.0, 1 x USB 2.0
		1 x RS232/422/485, 1 x RS232
		WLAN antenna SMA in top (Optional)
Environment	Operating Temperature	-25 deg.C to 55 deg.C
	Storage Temperature	-30 deg.C to 70 deg.C
	Humidity	10% to 95% (non condensing)
	Shock*	Operating:30g for 18ms, 300m/s ²
	Vibration*	Operating: 1.60/1.96/2.18 g rms for XYZ / 5-500Hz
	Power Input	9~36V DC in (Phoenix type)
	Power Consumption	68W typ.
Mechanical	Dimensions (W x L x H)	315 mm x 250 mm x 67 mm
Driver OS Support	Windows Embedded 7 / Windows Embedded 8* / Windows 10 IoT Enterprise	
Certifications	CE/FCC ClassB, MIL810F / IEC60068-2-27 for Vibration / Shock	
Packing List	(IB32) SBC Manual & Driver CD	
Product Optional Items	Mounting Bracket and Kits	One robust bracket with locking handle (Can adjust from -5 deg.C to 90 deg.C)
	Sunlight Readable	Transflective film enhancement for optional
	Anti-reflective Glass	3 mm (Replace touch)
	WLAN / 3G	Either one
	GPS	USB interface
Digital IO / Canbus	Either one	

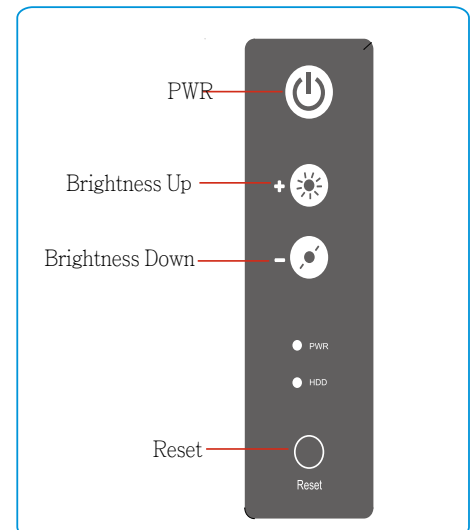


I / O View:

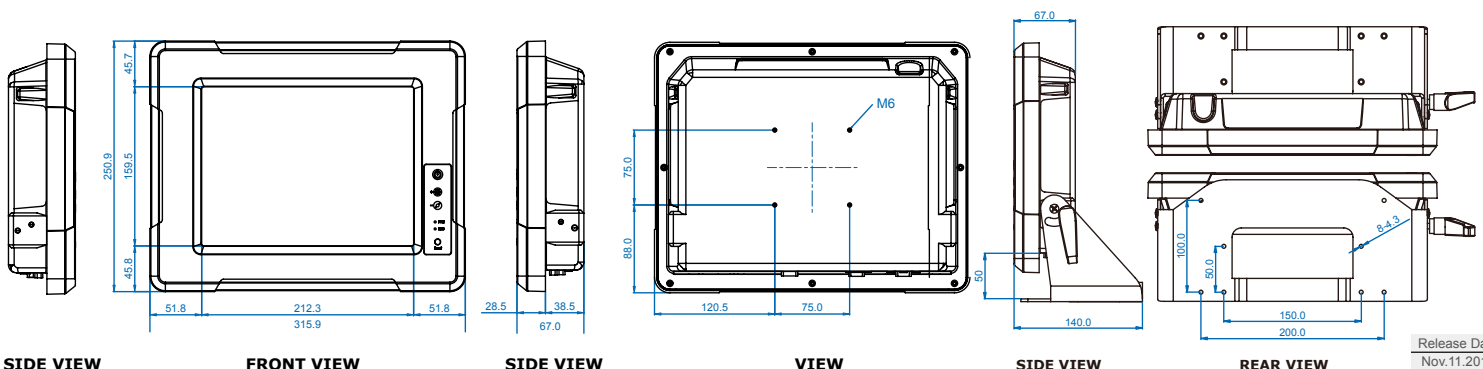


1. 9~36V Terminal Block
2. RS-232 (Optional)
3. RS-232
4. SIM Card Slot (Optional)
5. CanBus / DIO (Optional)
6. RS232/422/485
7. 1xUSB 3.0, 1xUSB 2.0
8. HDMI
9. 2xRJ45

Front OSD Control Function:



Drawing w / Mounting bracket:



Release Date
Nov.11.2015