

# R6A-110

PC & Video interface for TFT panels

R6A interface controller for OEM monitor and packaged flat panel display solutions.

**Panels:** 1920x1080,1600x1200,1280x1024,1024x768,800x600,640x480 TFT color LCD & other

**Input:** Analog VGA, DVI-D

This R6A scaler board generates all the necessary control signals and the panel data to drive TFT-LCDs. It performs image scaling on 24-bit RGB or YUV data stream and feeds the scaled pixels to LCD panel. It accepts standard DVI and analog RGB and SYNC (CRT like) signals from any VGA /SVGA/XGA/SXGA/UXGA/Full HD video controller. An OSD (On Screen Display) logic is embedded. The user interface includes Auto-Adjust, Phase, Brightness, Contrast, Horizontal and Vertical Position adjustment etc. An auto adjustment function provides automatic frequency, phase, H&V position, and white balance tuning.

## Input Resolution

DV-12V

Full HD

DVI

UXGA

D-Sub

SXGA

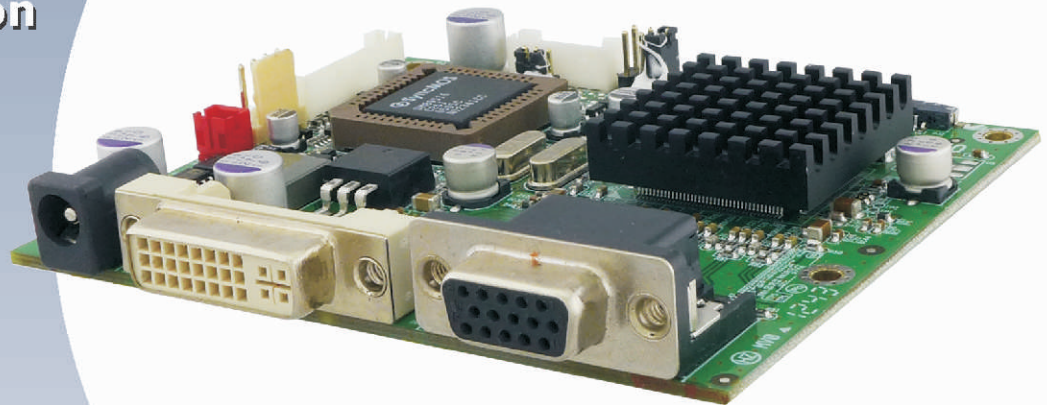
WXGA

XGA

SVGA

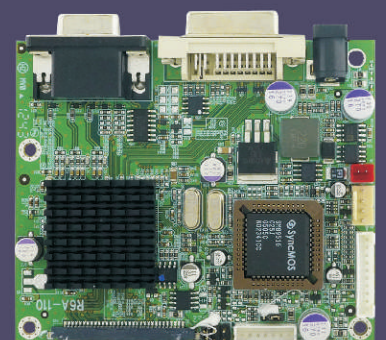
WVGA

VGA



## Features

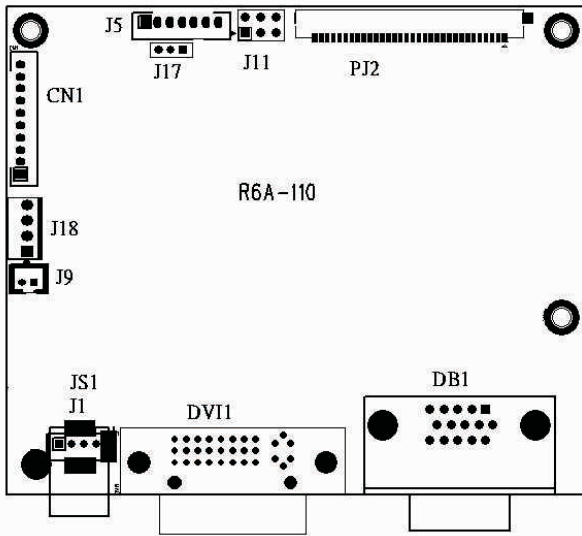
- Separate RGB Video signal.
- Build-in YUV to RGB color space converter & de-interlace.
- Dual LVDS Interface Output.
- On-Screen Display Control.
- Support various panel from VGA to FHD.
- RGB input Maximum resolution 1920x1080@ 60Hz.
- Automatic input source detection.
- Auto adjustment for frequency, phase, H/V position, and white balance.
- On chip brightness, contrast and gamma correction.
- VESA DDC1/2B: Software DDC1 and DDC 2B is supported.
- Flexible firmware design to meet any custom design request.
- DVI input maximum resolution 1920x1080@ 60Hz.
- Operating Temperature : 0 ~ + 50°C  
Storage Temperature : -20 ~ + 60°C



# R6A-110

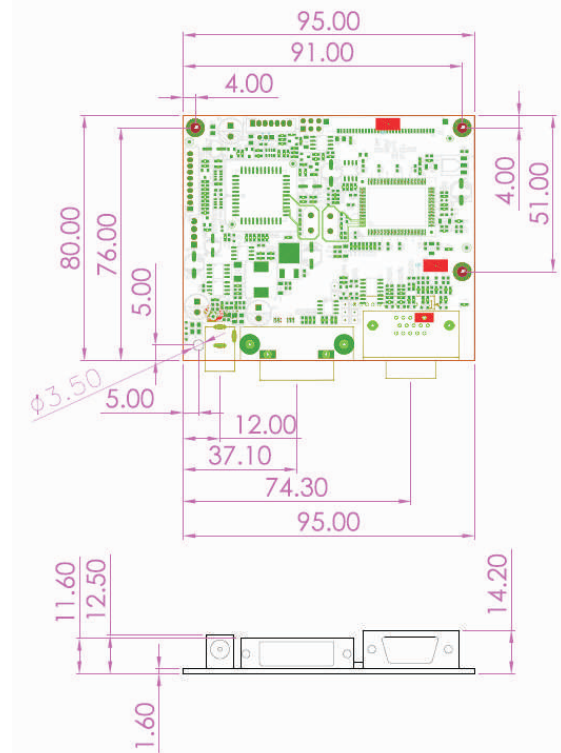
PC & Video interface for TFT panels

## R6A-110 I/O Connectors Guide



Connector	Description
CN1	OSD Key Pad Wafer
J5	Inverter Output Wafer
J18	RS-232 Connector
JS1	DC12V Input Wafer
J9	5V Power Wafer
J17	Brightness control type (PWM or DC control)
J11	Panel Power jumper
DB1	VGA Input Connector
DVI1	DVI Input Connector
PJ2	LVDS Panel Connector
J1	DC Power Jack

## AD Board Drawing



## Order Information

Item	Description
1	Panel signal cables kit(LVDS cable)
2	Backlight Driving Board & cables kit
3	OSD Board Kit
4	Rs232 Remote control board Kit
5	IR Remote controller