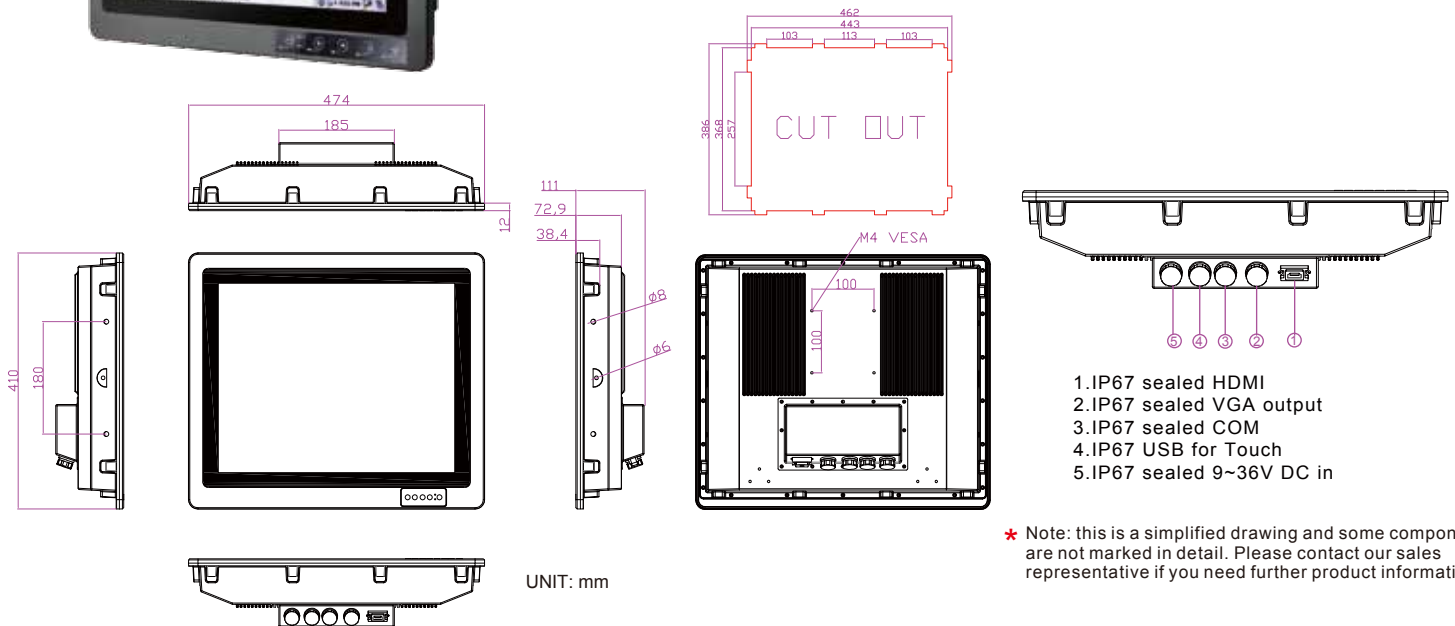




Features

- Totally sealed IP67 aluminum compact housing design
- 19-inch 1280x1024 panel with Projected Capacitive Touch
- -10°C to 60°C wide operating temperature
- Fanless, streamlined enclosure for highly efficient heat dissipation
- Rugged Front Anti-Impact Design (IEC60079-0 section 26.4.2)
- Front control membrane keys Lockable by software
- Full IP67 male connectors with external female cables
- Optical Bonding with Panel and Touch



- 1.IP67 sealed HDMI
- 2.IP67 sealed VGA output
- 3.IP67 sealed COM
- 4.IP67 USB for Touch
- 5.IP67 sealed 9~36V DC in

* Note: this is a simplified drawing and some components are not marked in detail. Please contact our sales representative if you need further product information.

System Specifications :

- Model Name : R19L100-67FTP
- Resolutions : 1280 x 1024
- Brightness : 400 cd/m² (typ.)
1000 cd/m² (optional)
- Contrast Ratio : 1000 : 1 (typ.)
- Viewing Angles : -85~85(H); -80~80(V)
- Max Colors : 16.7M
- Recommended Resolution : 1280 x 1024 @ 60Hz~75Hz
- Signal Input : 15 pin D-Sub
- Power Input : 9~36V DC in, with External AC to DC Adapter(100-240V AC)
- Touch Screen : Projected Capacitive (Option AR Protection glass)

Mechanical Specification :

- Mechanical Housing : Panel Mount
- Dimension(W x H x D) : 474mm x 410mm x 143.5mm
- Gross Weight : 13.5 kg
- Net Weight : 10.0 kg

Power Specifications :

- Power Input : 9~36V DC input

Environment Considerations :

- Operating Temperature : -10 deg.C to 60 deg.C
- Operating Humidity : 5 to 95%

Standards and Certifications

- Safety : UL60950-1, CSA C22.2 No. 60950-1-07, EN60950-1, IEC60950-1
- CE
- FCC
- IP67 Sealed Housing certified by SGS
- Shock : MIL-STD-810G Method 516.6
- Drop : MIL-STD-810G Method 516.6
- Vibration : MIL-STD-810G Method 514.6

Full IP67 Connectors :

- 1 x IP67 grade Connectors for HDMI
- 1 x IP67 grade Connectors for DC 9~36V in
- 1 x IP67 grade Connectors for RS232 Remote Control
- 1 x IP67 grade Connectors USB for Touch Screen
- 1 x IP67 grade Connectors for VGA signal in

Accessories :

- 1 x Driver & Manual CD
- 1 x AC to DC 12V 50W Power Adapter
- 4 x IP67 External Cables (USB / VGA / COM / Power)