

Panel Mount LCD

12.1"

Specifications



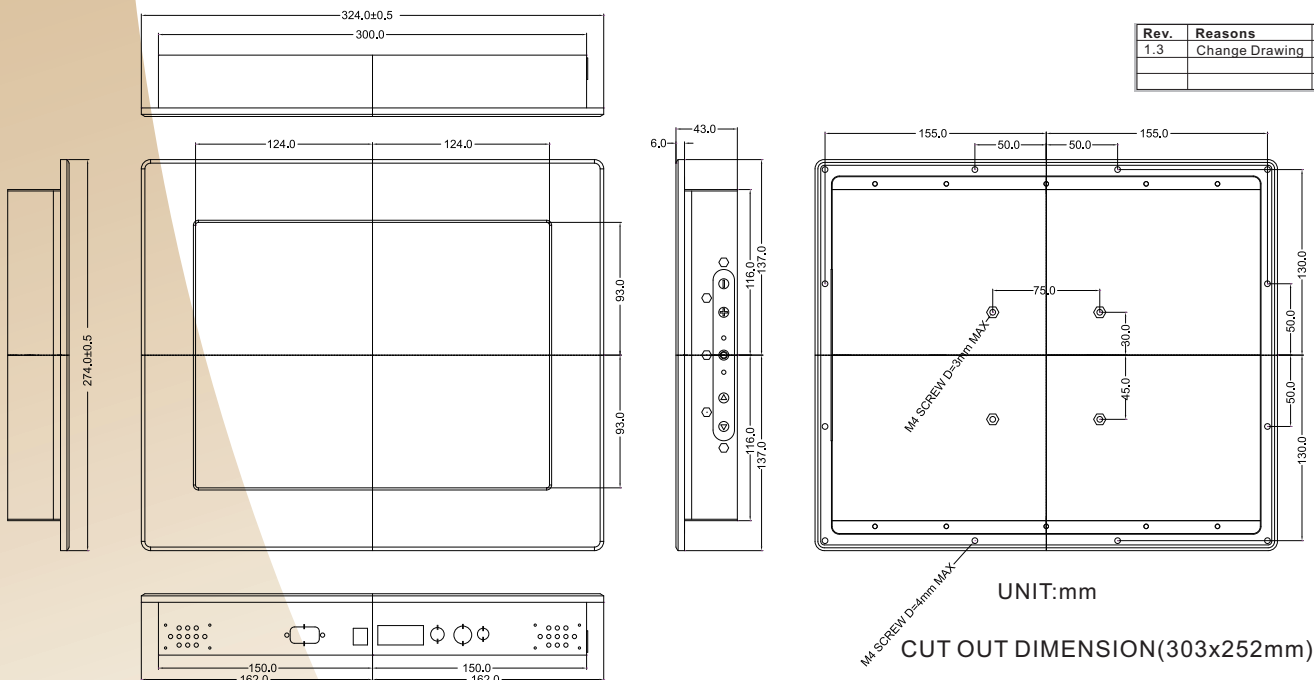
Model Name	R12T600-PML1
Viewable Size Image	12.1"
Active Display Area(mm)	246.0(H)x184.5(V)
Pixel Pitch(mm)	0.3075(H)x0.3075(V)
Number of Pixels	800x600
Contrast Ratio	700:1(typ.)
Display Color	16.2M(8bit/colors)
Brightness(cd/m ²)	450(typ.)
Viewing Angle(CR>=10)	-80~80(H); -75~65(V)
Synchronization Range Horizontal/Vertical	31.5~46.9KHz/60~75Hz
Recommended Resolution	800x600@60Hz, 75Hz
Signal Connector	15 pin D-sub
Power Source	12V DC in, with External AC to DC Adapter (100~240V AC)
Power Consumption	15W typical, normal operation
Power Management	VESA DPMS Compliant
Plug & Play	VESA DDC 1/2B
Optional Video Input	S-Video, Composite
Optional DVI Input	No
Optional Touch Screen	Resistive, Capacitive, SAW,IR

Remarks:R12T600 series= VGA input only

R12T630 series= VGA+Video Input



Mechanical Drawing



Rev.	Reasons	Revised Date
1.3	Change Drawing	Jan-22-14

* Note: this is a simplified drawing and some components are not marked in detail. Please contact our sales representative if you need further product information.